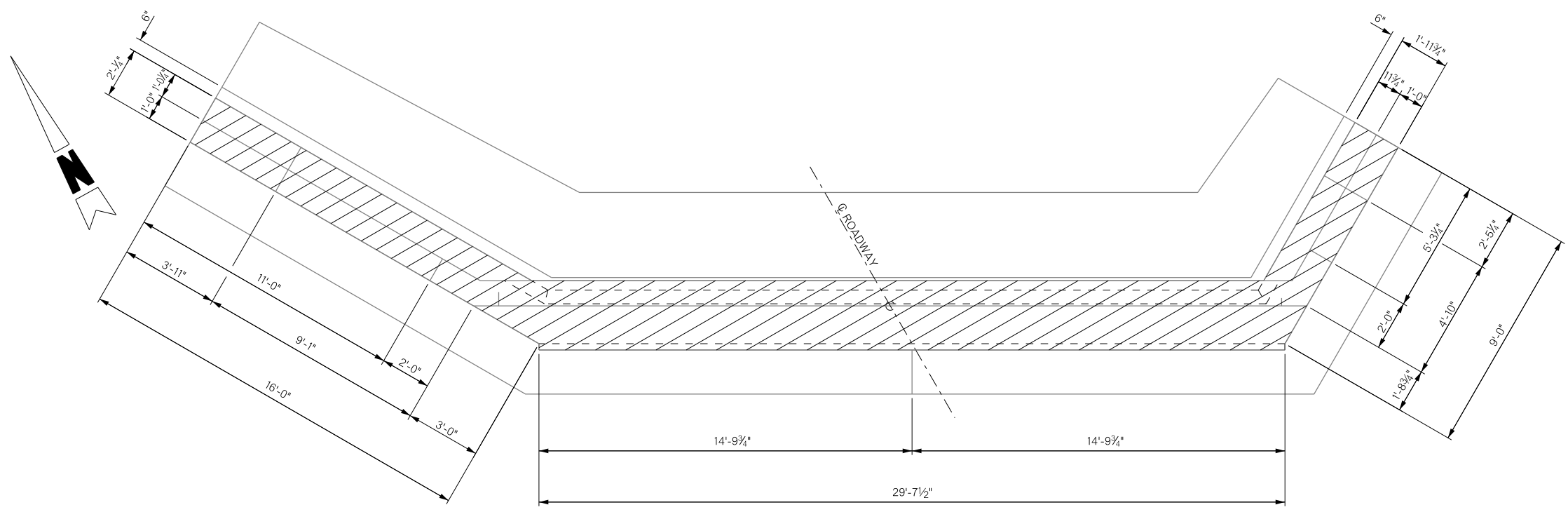
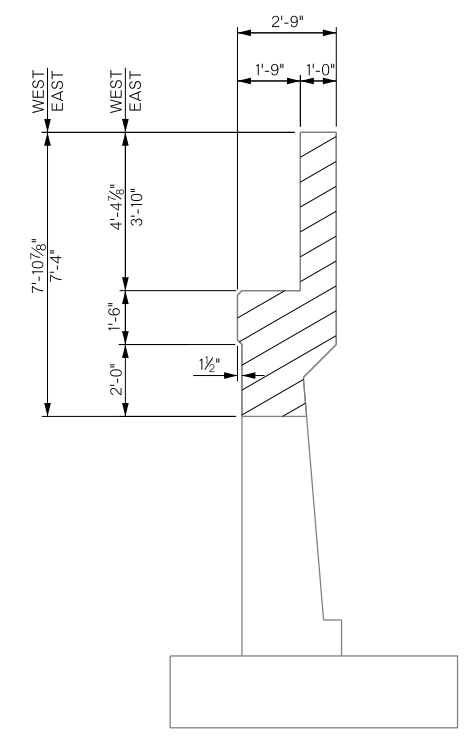
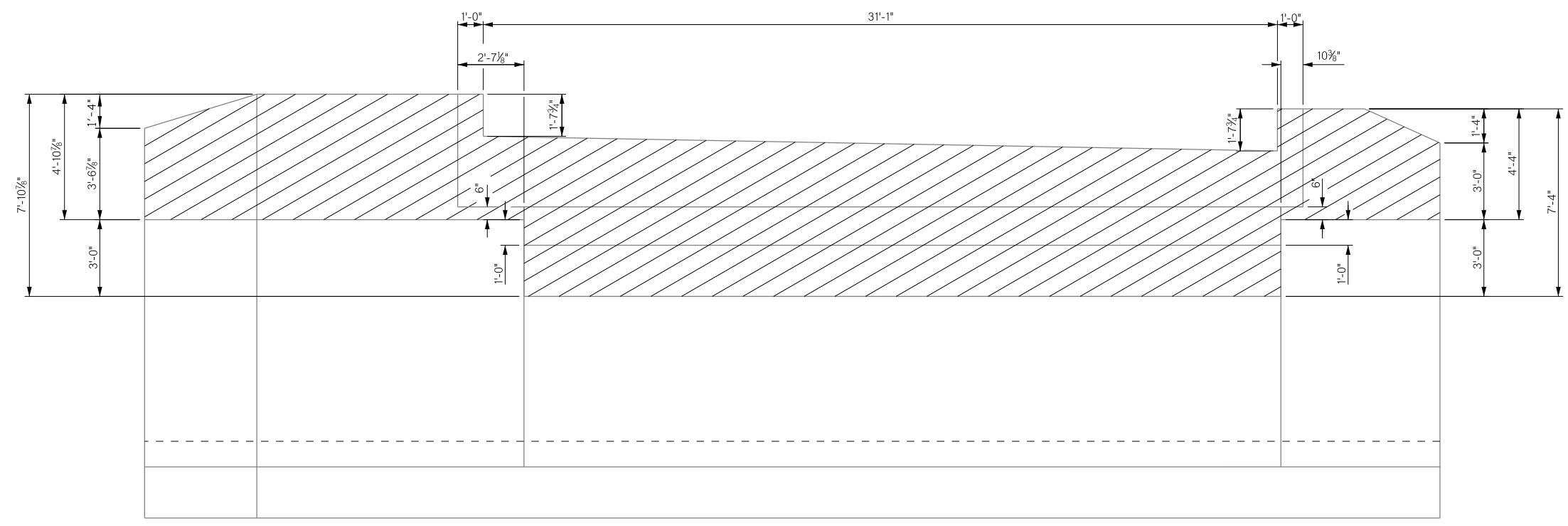
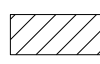


REVISIONS		
REV. NO.	DESCRIPTION	DATE



NOTE: SAW CUT AND REMOVE TOP OF ABUTMENT CONCRETE AND REINFORCING TO A DEPTH OF 3'-6" BELOW THE EXISTING BRIDGE SEAT LEAVING ONLY EXISTING VERTICAL REINFORCING WHICH WILL BE CLEANED AND STRAIGHTENED.



 PORTION OF EXISTING STRUCTURE TO BE REMOVED.

BRIDGE "A" SH-78 OVER CHUCKWA CREEK	BRYAN COUNTY	Design	CJO	6/15
ABUTMENT NO. 2 DETAILS (SHEET 1 OF 4)		Detail	DPG	8/15
		Check	TEE	9/15
STATE OF OKLAHOMA		DEPARTMENT OF TRANSPORTATION		
JOB/PIECE NO. 27912(04)		SHEET NO. B009		